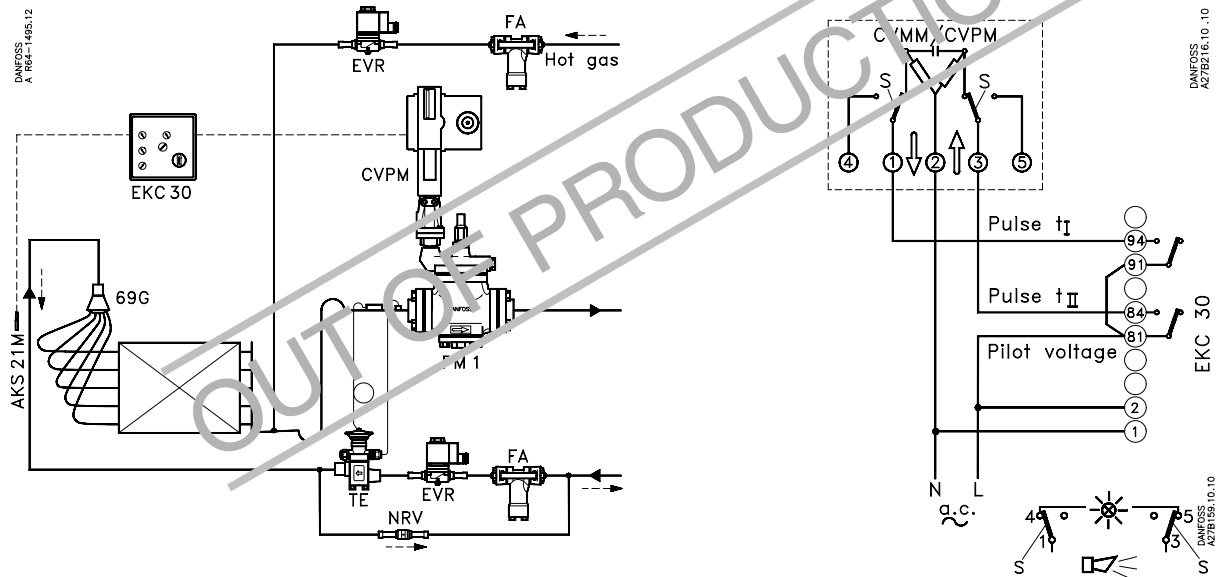
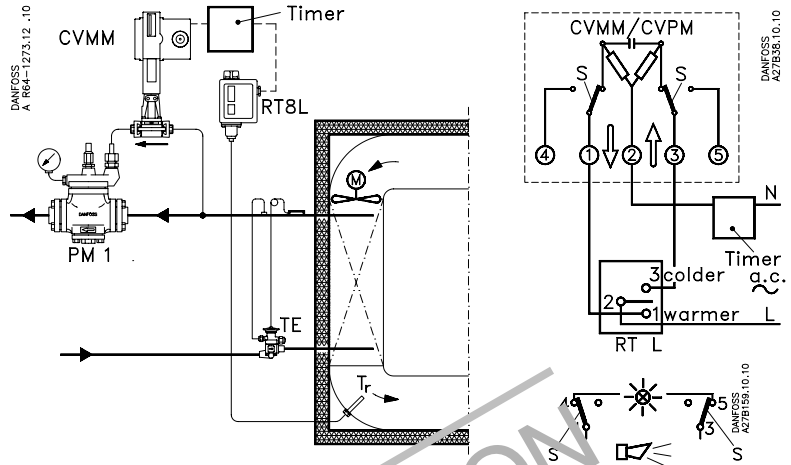
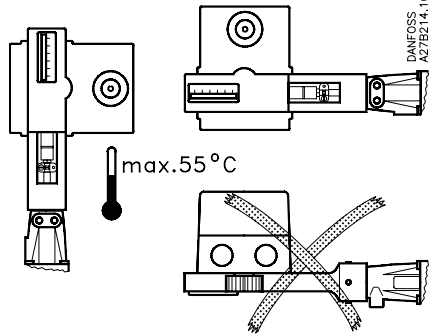


027R9502

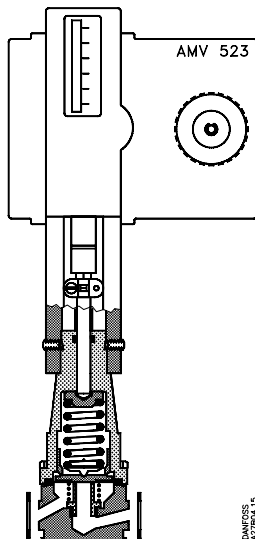
027R9502

CHC, HFC, HCFC, R 717 (NH₃)
 -0.66 → 7 bar
 -50 → +140°C
 PB / MWP = 28 bar
 p_l = 42 bar

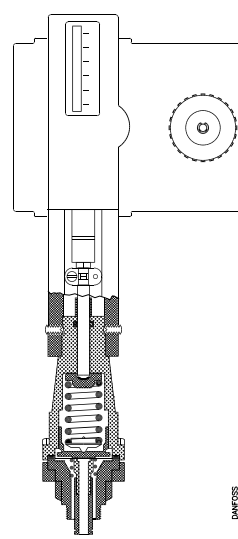
AMV 523 motor:
 220, 24V a.c. +10 → -15%, 50/60 Hz
 10 VA
 IP 44 (IEC 529)



CVMM

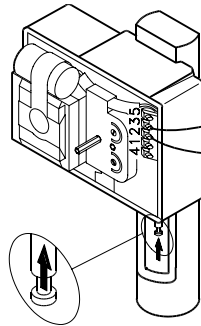
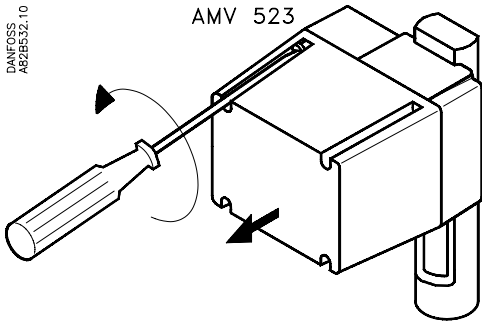


CVPM



DANFOSS
AB2B532.10

AMV 523

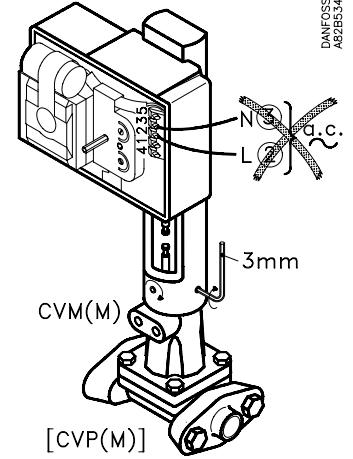


DANFOSS
AB2B533.11

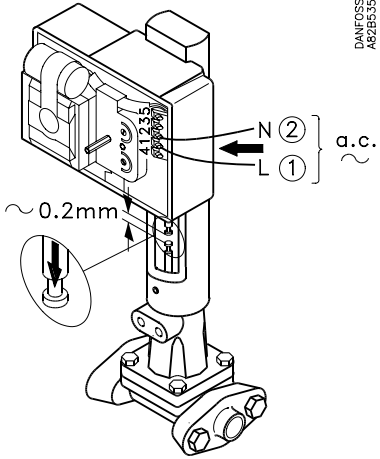
L (3)
N (2)
a.c.
220-240V/
24V

AMV 523

DANFOSS
AB2B534.10

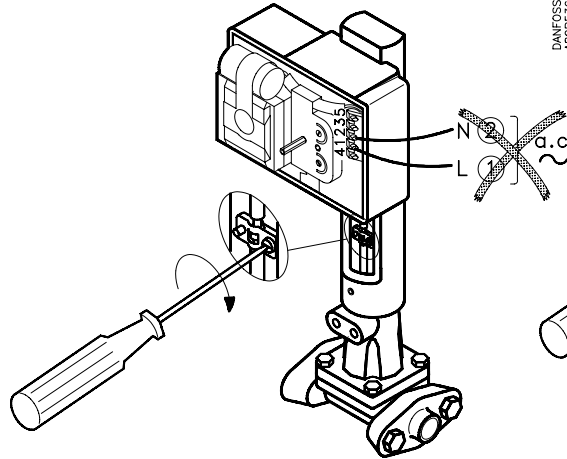


DANFOSS
AB2B535.11

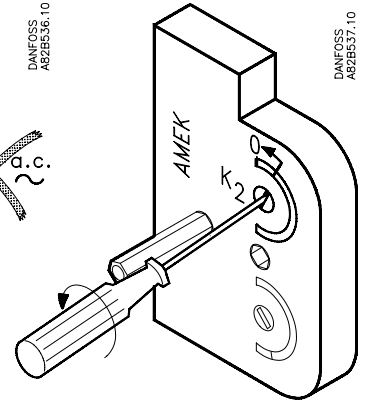


N (2)
L (1)
a.c.

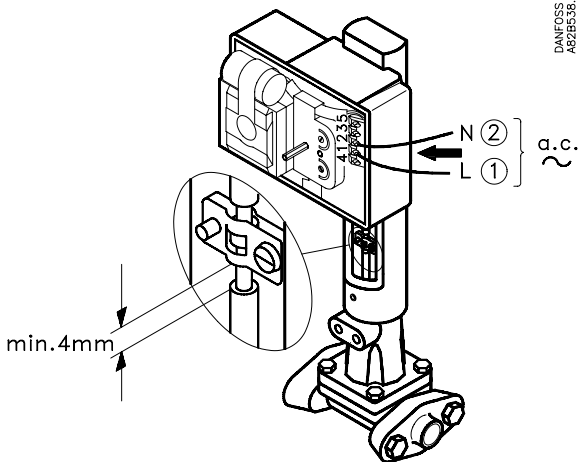
DANFOSS
AB2B536.10



DANFOSS
AB2B537.10

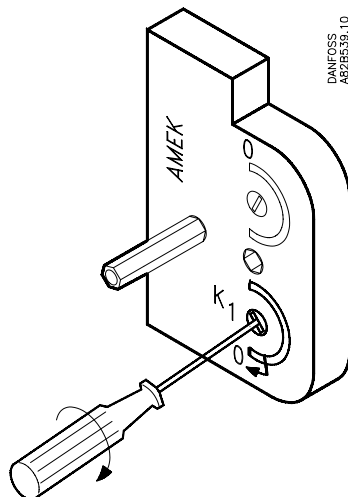


DANFOSS
AB2B538.10



N (2)
L (1)
a.c.

DANFOSS
AB2B539.10



max. 55°C

DANFOSS
AB2B540.10

